



“ Five years ago, we challenged ourselves to create the best distance iron we could. We’ve taken everything we’ve learned in that time and made our most complete iron ever in SpeedBlade. It’s combination of distance, performance, and forgiveness is unmatched.

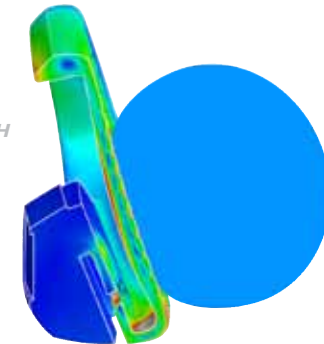
BRIAN BAZZEL
DIRECTOR
IRON, WEDGE & PUTTER PRODUCT CREATION

New Speed Pocket: Launches Higher, Flies Farther, Feels Better

- ▶ The New Speed Pocket delivers:
 - Faster speed across a larger area of the face
 - High launch when combined with lower CG
 - Remarkable feel and sound when combined with redesigned cavity and badging
- ▶ Each iron individually engineered to optimize distance and close the gap between longest iron and shortest metalwood
- ▶ A tour inspired wedge shape with ATV sole

MORE FACE FLEX = MORE REBOUND = FASTER BALL SPEED

- NEW CUT THROUGH SPEED POCKET
- 1.5mm ULTRA THIN FACE
- DEEP UNDERCUT



Impact simulation based on SpeedBlade 4-iron

SHAFT

SPEEDBLADE 85 - STEEL - S, R
 VELOXT 75 - S / VELOXT 65 - R / VELOXT 55 - M / VELOXT 45 - L
 SW & LW USE 105g WEDGE FLEX SHAFT - STEEL

GRIP

MENS SPEEDBLADE RUBBER GRIP - 47.5g
 LADIES SPEEDBLADE WINN GRIP - 37.5g

CLUB	3	4	5	6	7	8	9	PW	AW	SW	LW
LOFT	17.0°	20°	23°	26.5°	30.5°	34.5°	39.5°	45°	50°	55°	60°
LIE	60.25°	61°	61.75°	62.5°	63.0°	63.5°	64.0°	64.5°	64.5°	64.5°	64.5°
OFFSET	6.3mm	5.8mm	5.2mm	4.5mm	3.9mm	3.1mm	2.5mm	2.0mm	1.3mm	0.9mm	0.9mm
BOUNCE	0.5	1.3	3.2	4.1	4.9	5.6	6.0	7.0	8.4	11.5	6.0
LENGTH	39.5"	38.875"	38.25"	37.625"	37.0"	36.5"	36.0"	35.5"	35.5"	35.25"	35.0"
SWING WEIGHT	D2.5 D1.5	D2.5 D1.5	D2.5 D1.5	D2.5 D1.5	D2.5 D1.5	D2.5 D1.5	D2.5 D1.5	D2.5 D1.5	D2.5 D2.5	D3.5 D3	D4.5 D4